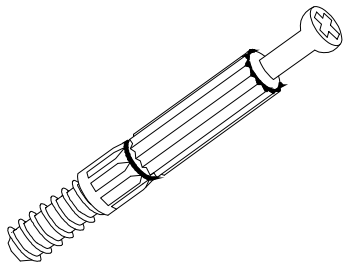
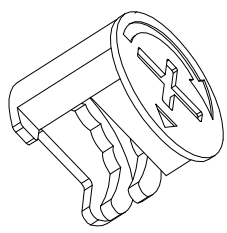


**4066** x12



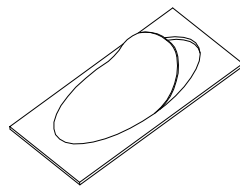
**Ø6,5x36,5 mm**

**3996** x12



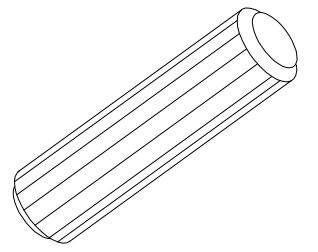
**Ø15x12 mm**

**136239** x12



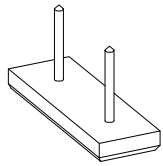
**Ø20 mm**

**3989** x24



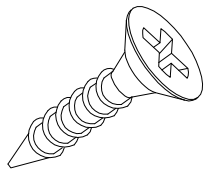
**Ø8x30 mm**

**90907** x6



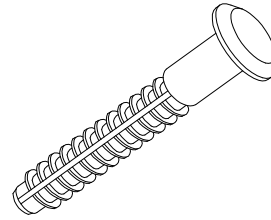
**45x15x5 mm**

**3918** x8



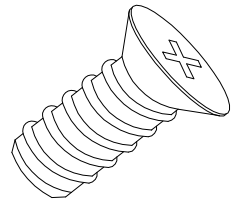
**Ø3,5x16 mm**

**IN01157** x4



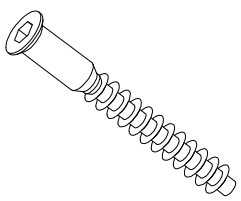
**Ø12x42 mm**

**3877** x4



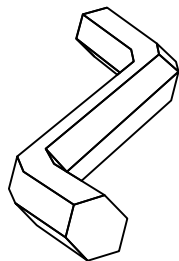
**Ø6,0x13 mm**

**3884** x6



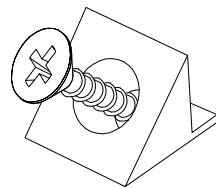
**Ø6,4 mm/50mm**

**3984** x1



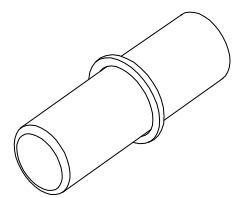
**4 mm**

**4044** x7



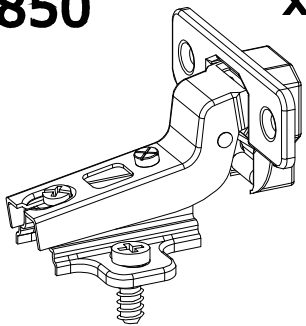
**15x14x11 mm**

**4017** x1



**Ø5x16 mm**

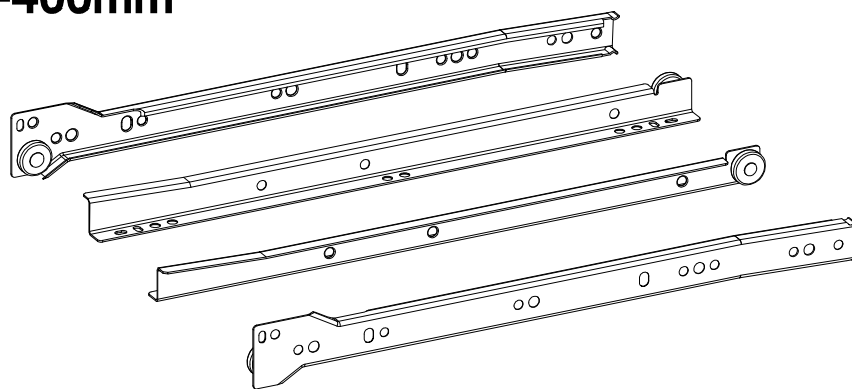
**68850** x2



**(h=2 ZP-BICN072ZE0)**

**Ø35 mm , KR15**

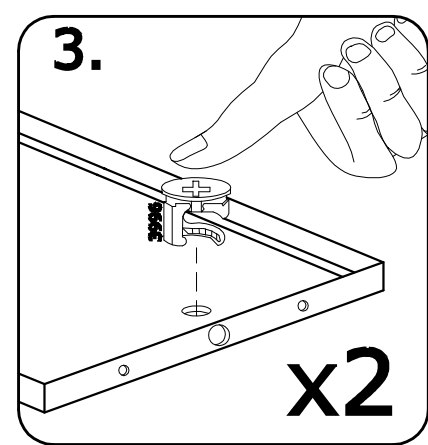
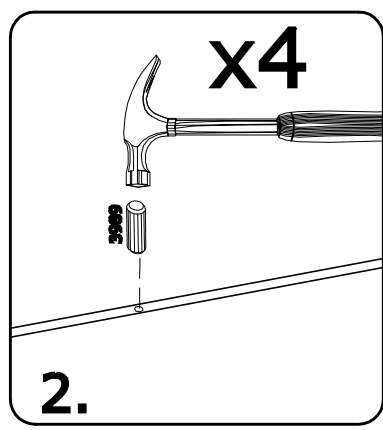
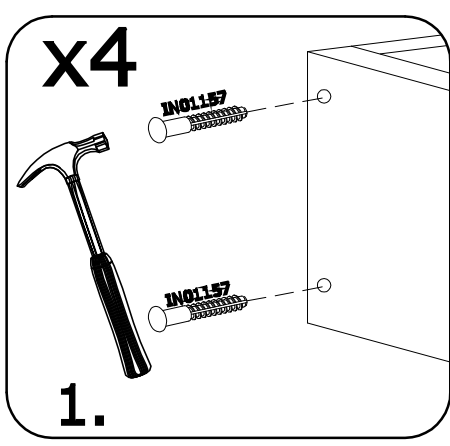
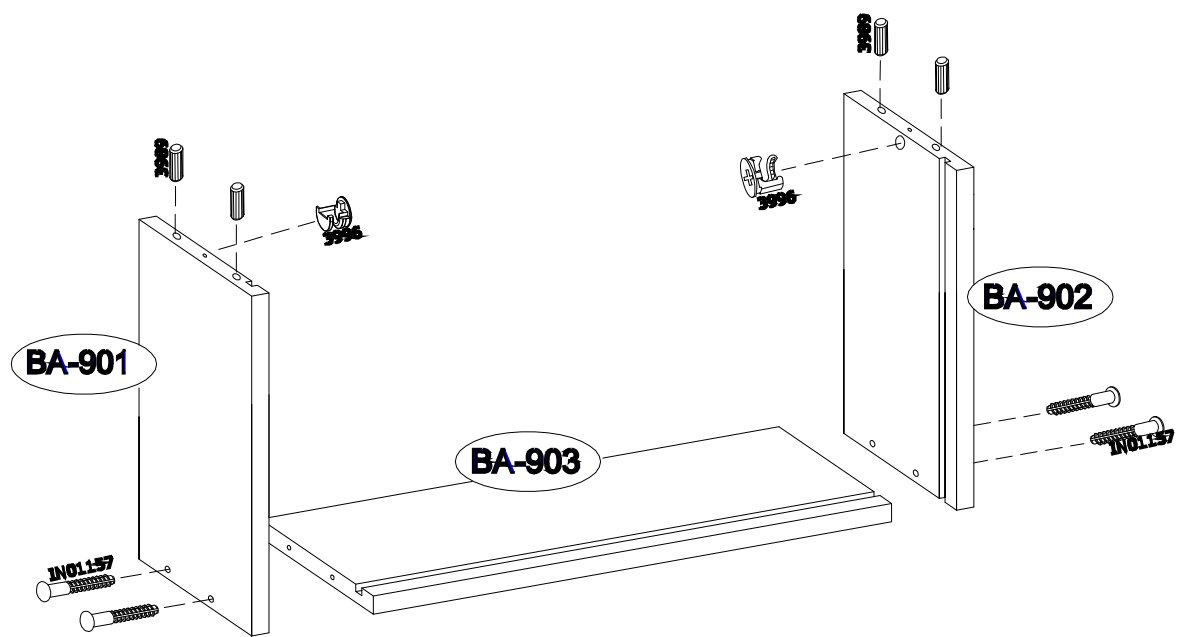
**L-400mm** x1



**3806**

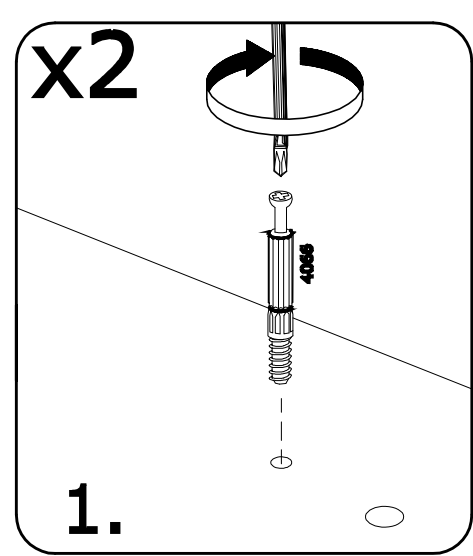
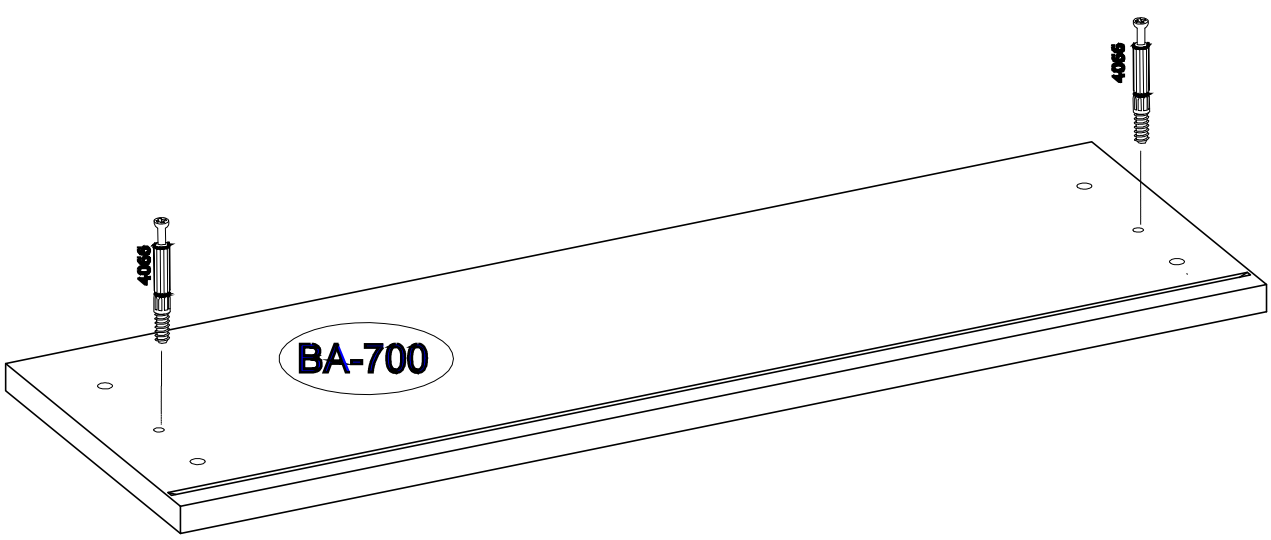
# 1

<b>3989</b>  x4	<b>IN01157</b>  x4	<b>3996</b>  x2		
---	---	--	--	--

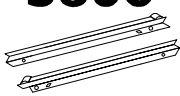



# 2

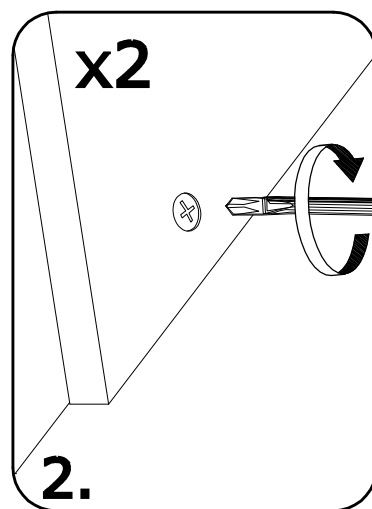
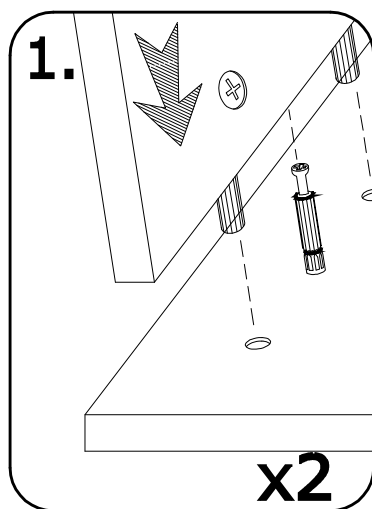
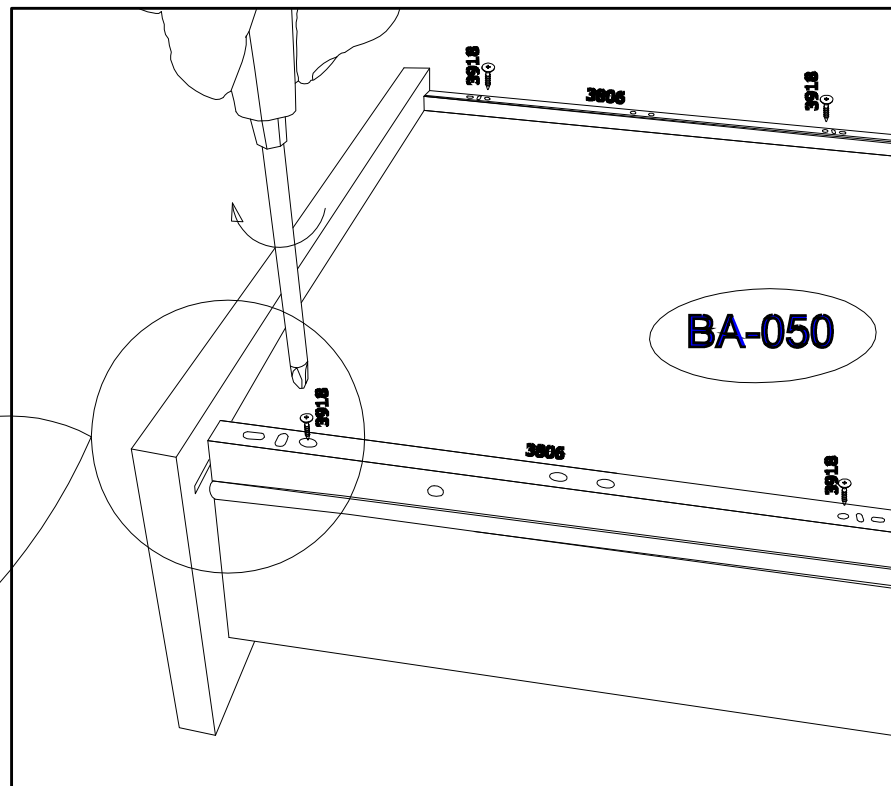
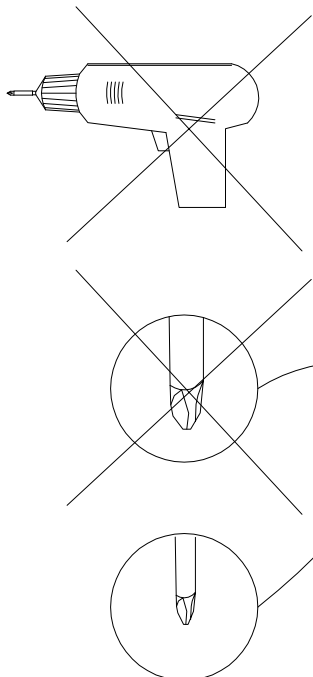
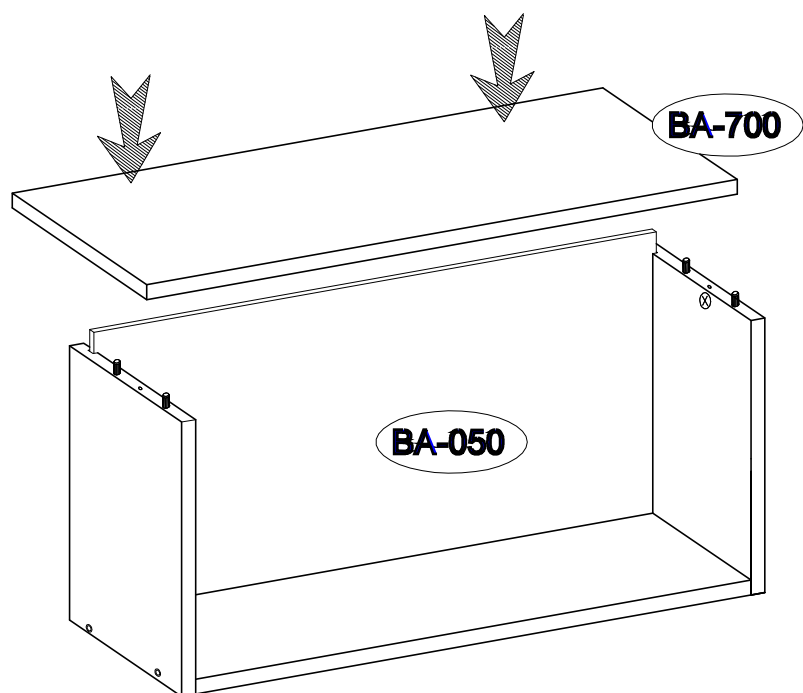
<b>4066</b>  x2		
--	--	---



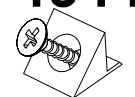
# 3

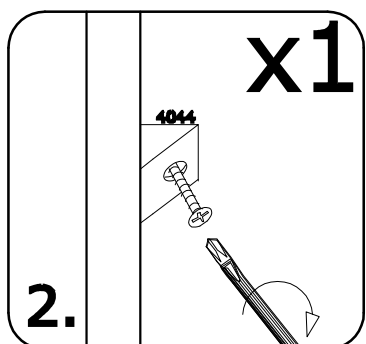
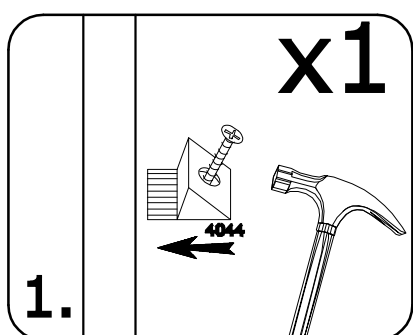
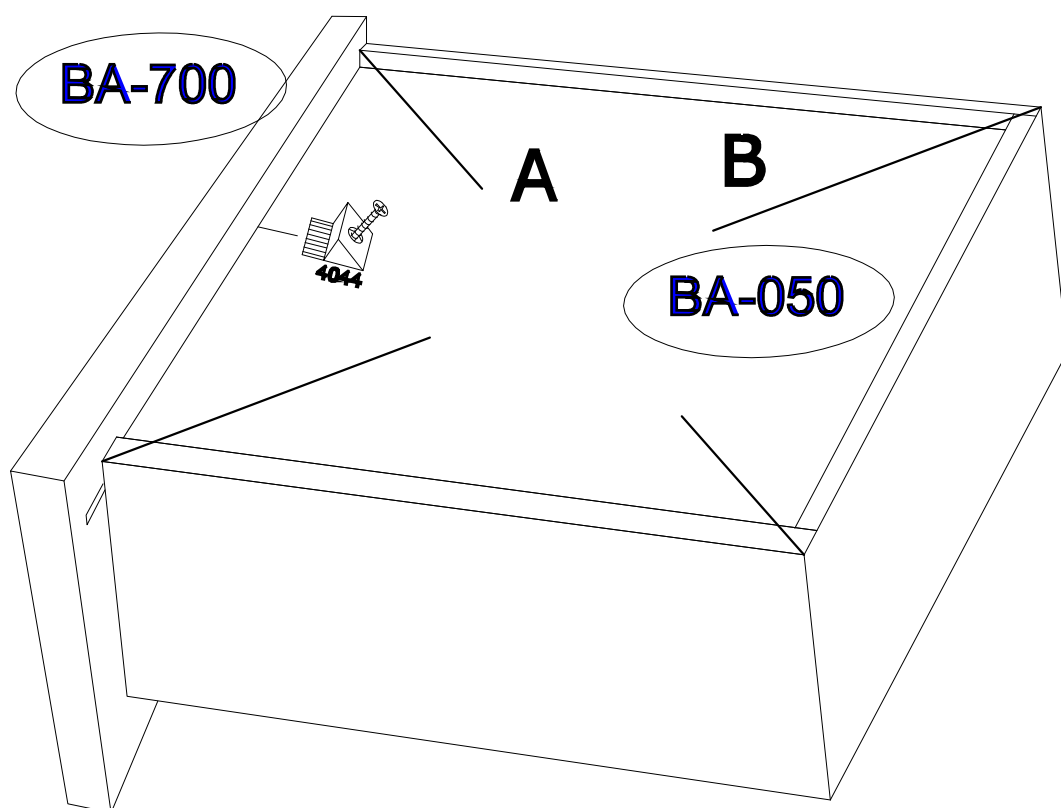
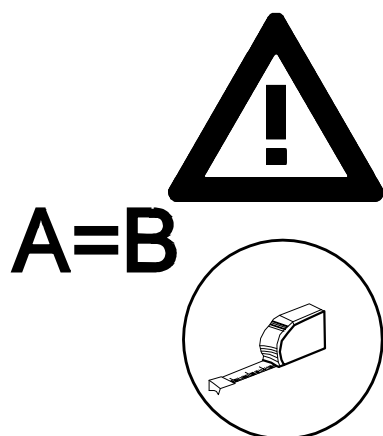
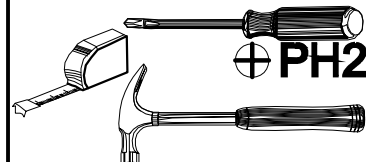
**3806**  
  
x1

**3918**  
  
x4



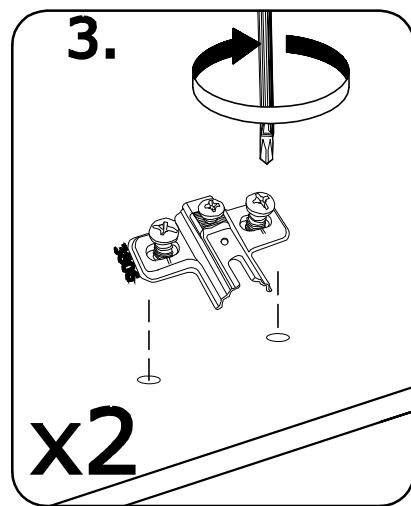
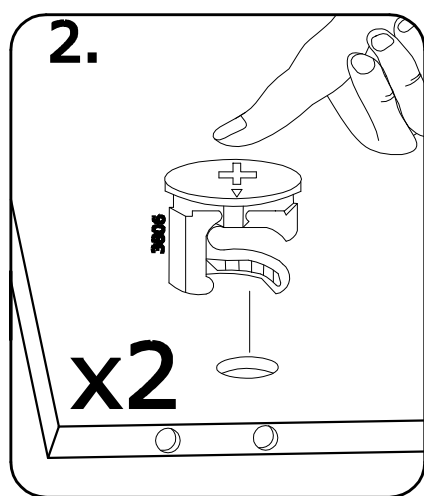
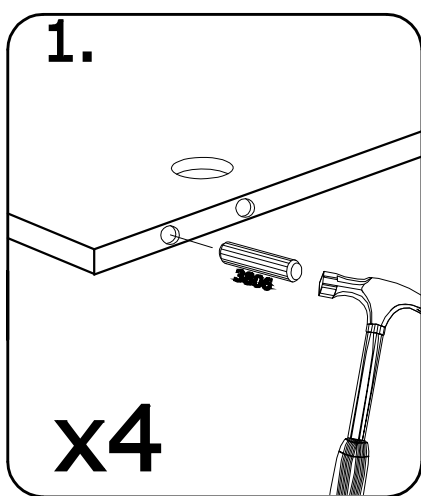
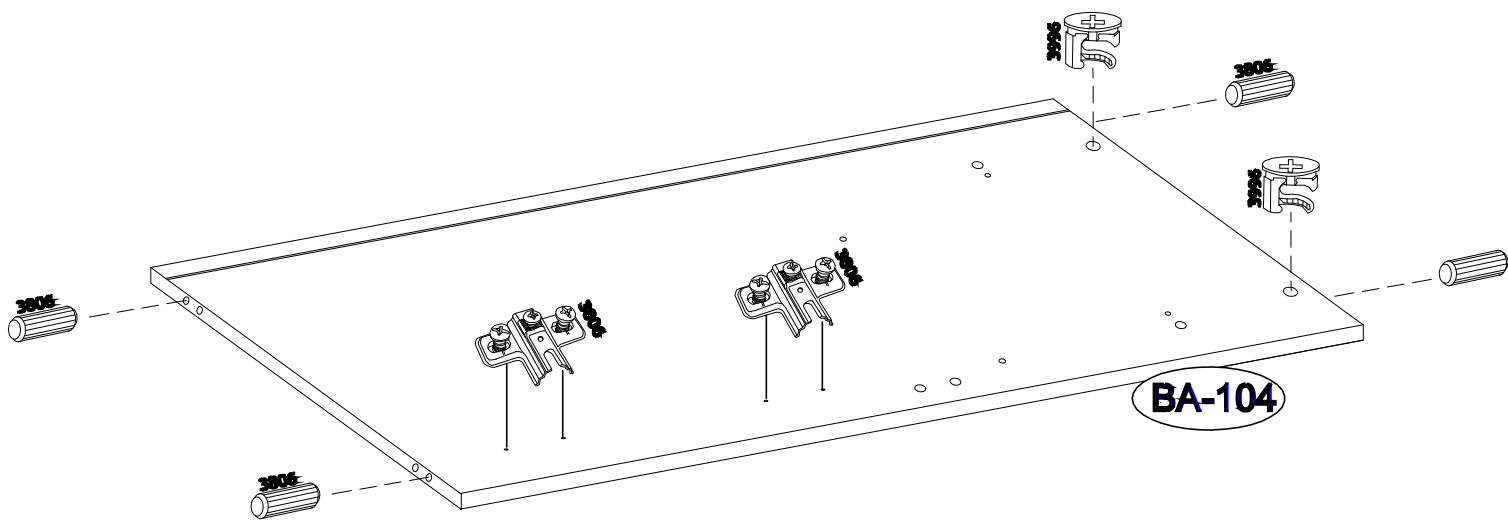
# 4

**4044**  
  
x1



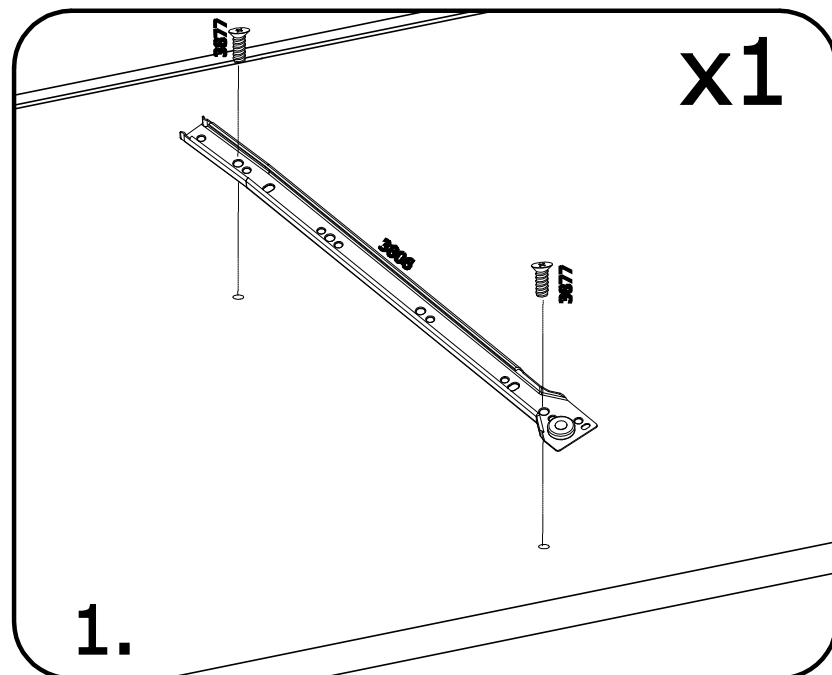
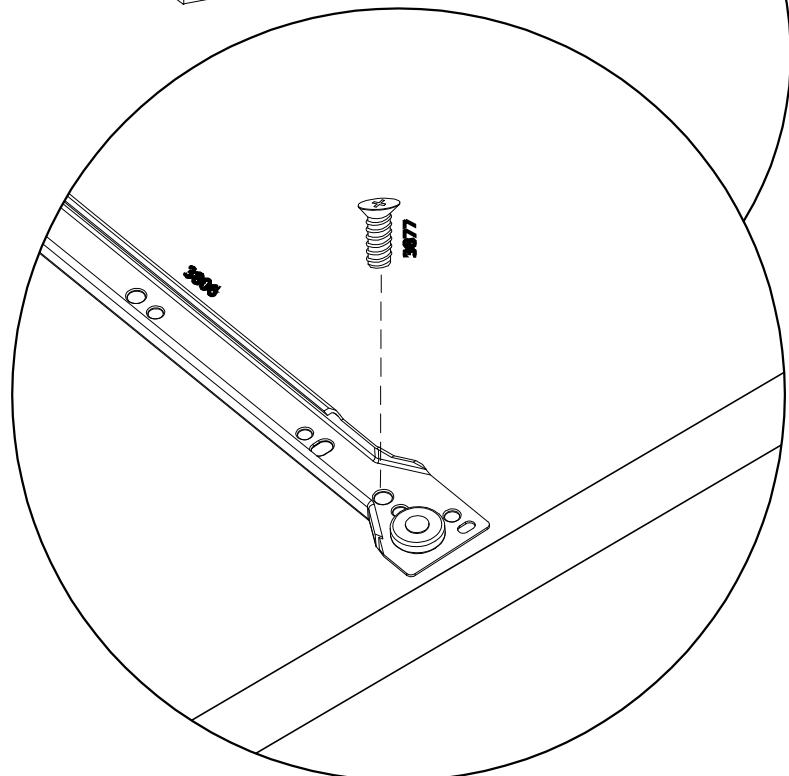
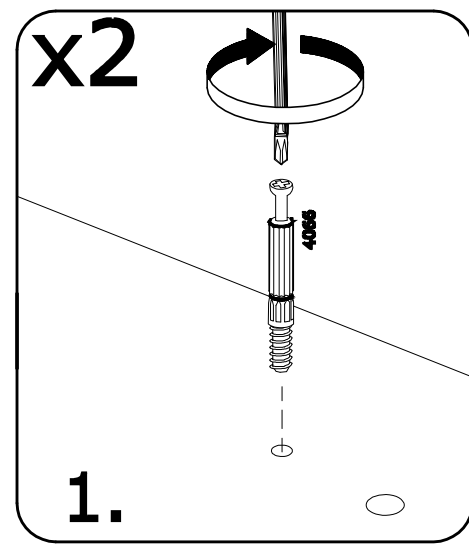
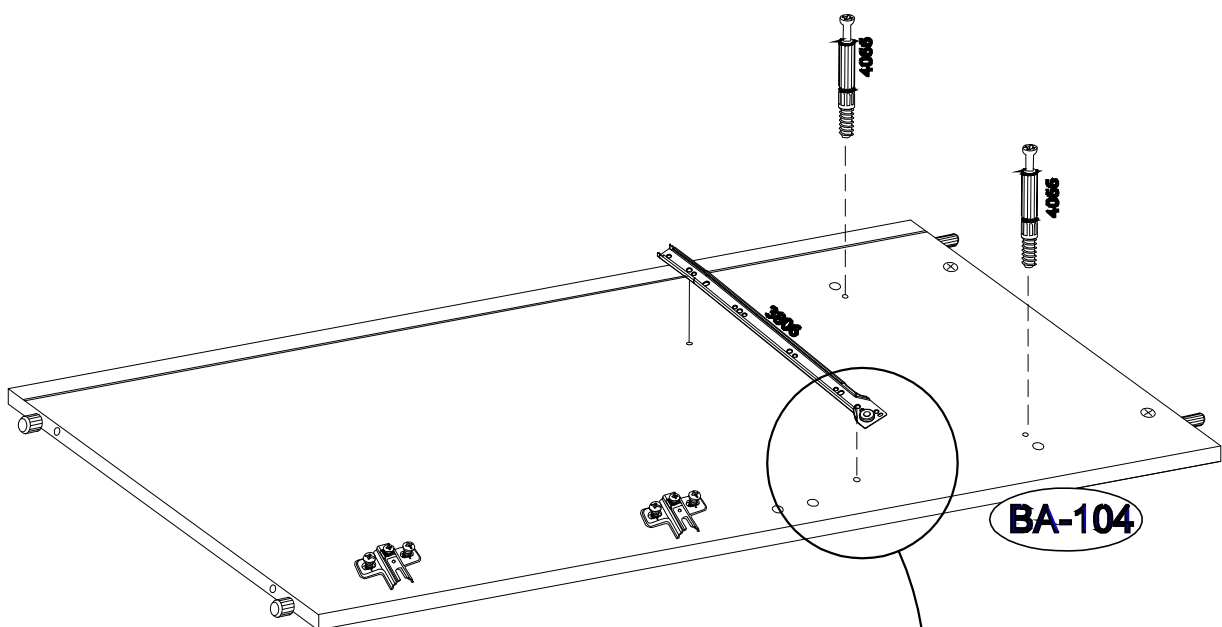
# 5

<b>3996</b>  x2	<b>3989</b>  x4	<b>3806</b>  x2		 ⊕ PH2
---	---	---	--	---



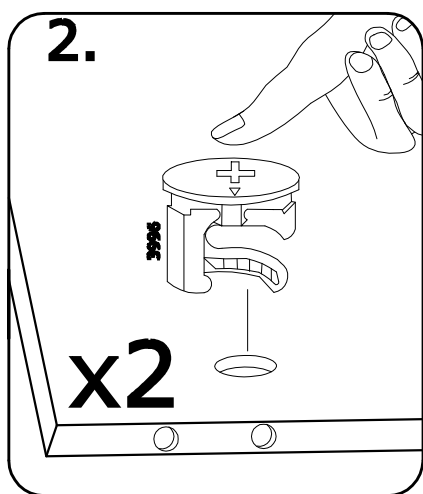
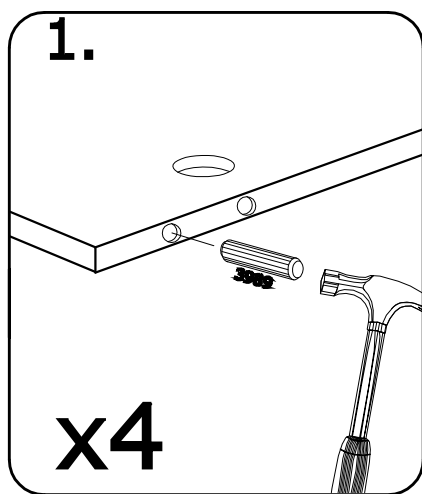
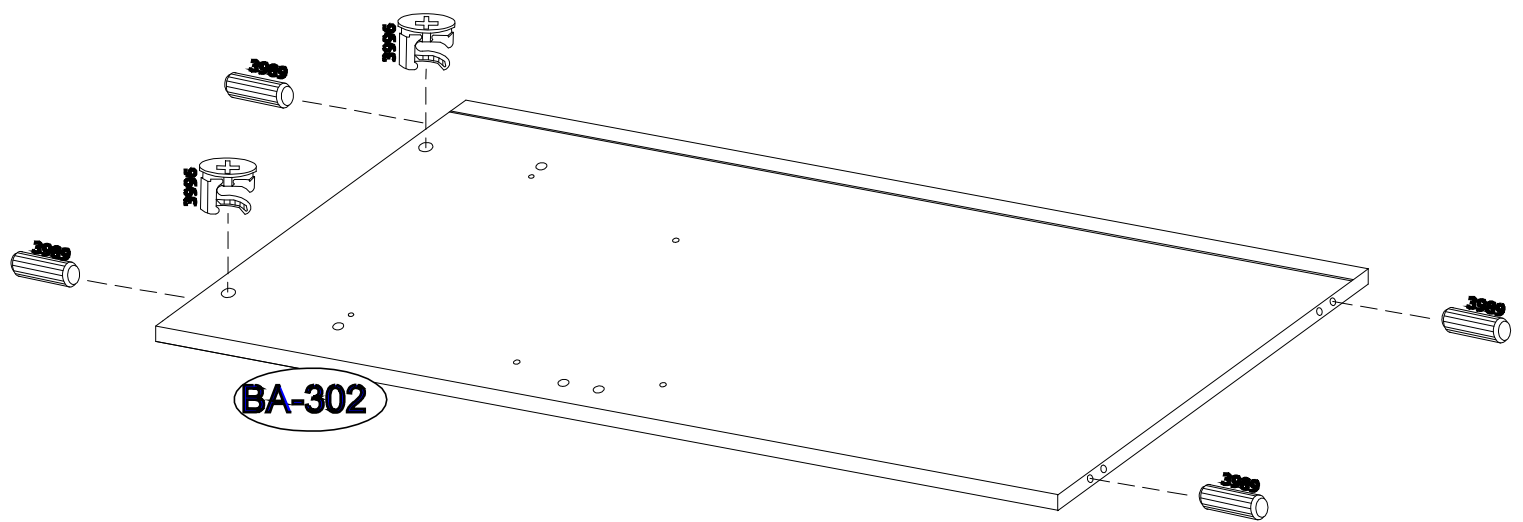
# 6

<b>4066</b>  x2	<b>3877</b>  x2	<b>3806</b>  x1		 ⊕ PH2
--	--	--	--	--



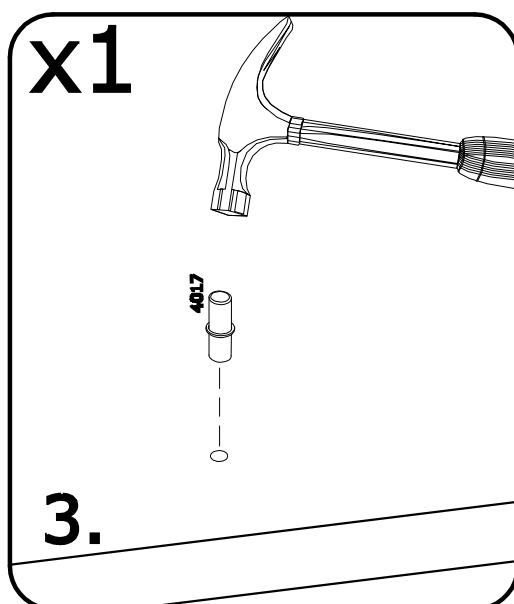
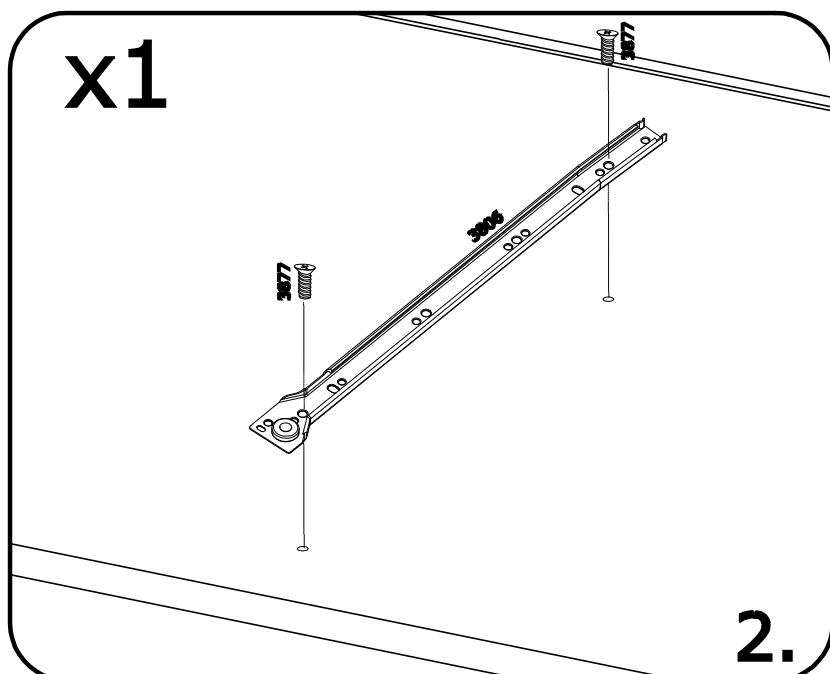
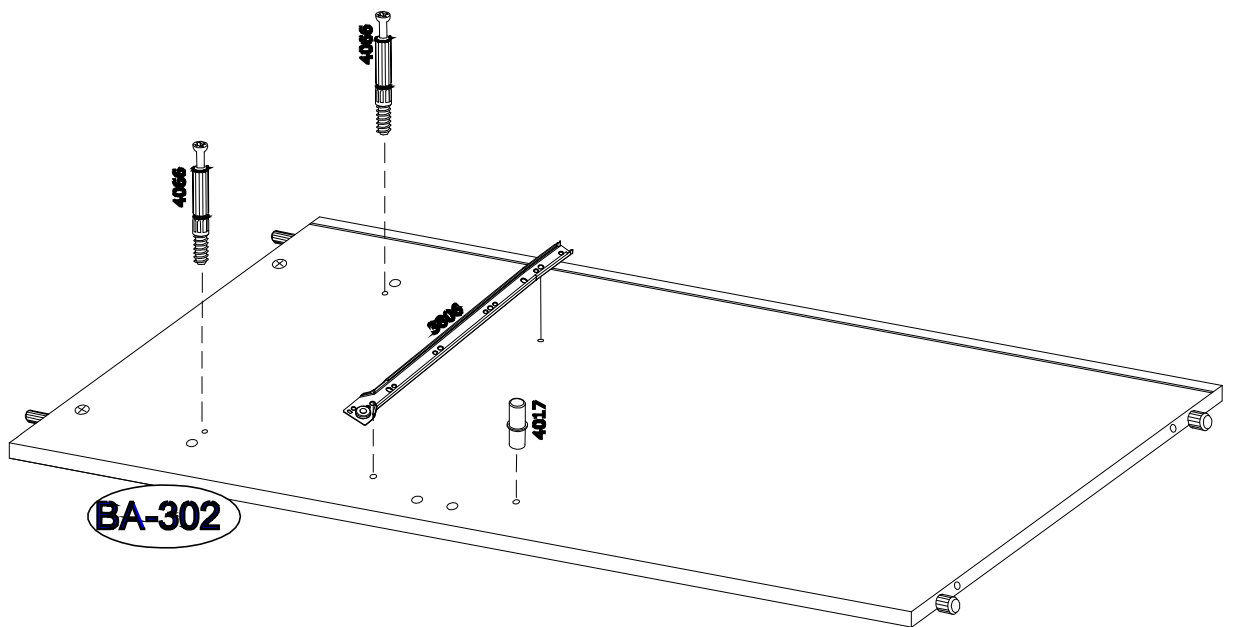
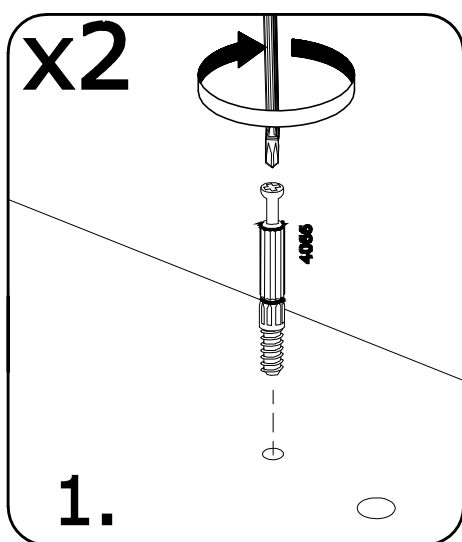
# 7

<b>3996</b>  x2	<b>3989</b>  x4		
---	--	--	---



# 8

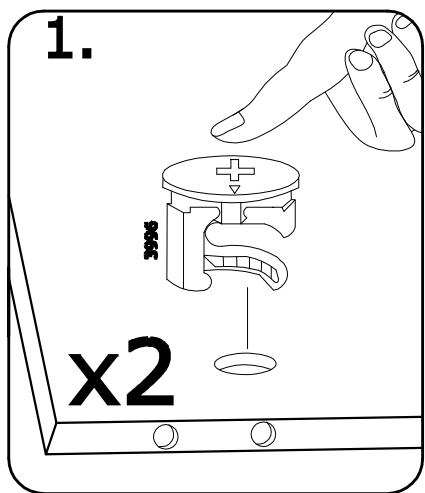
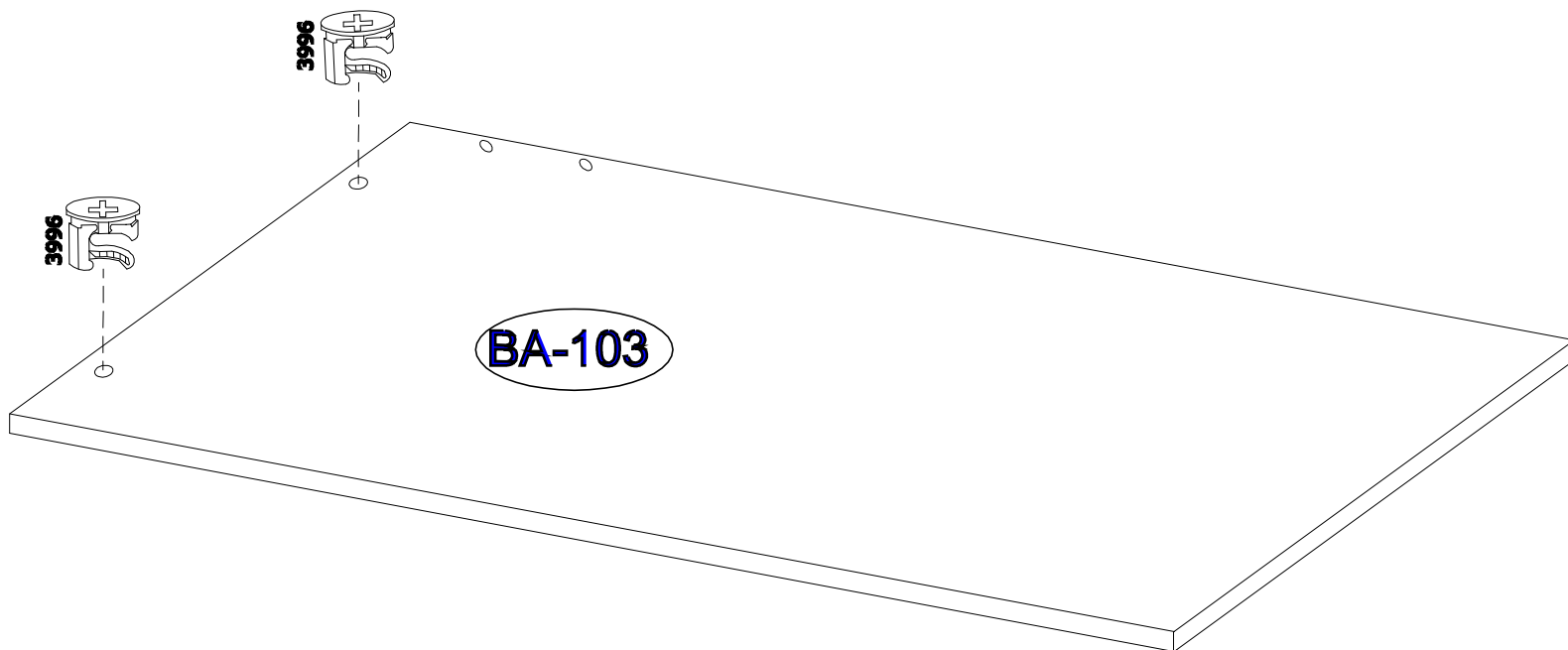
<b>4017</b>  x1	<b>3877</b>  x2	<b>3806</b>  x1	<b>4066</b>  x2		
--	--	--	--	--	---





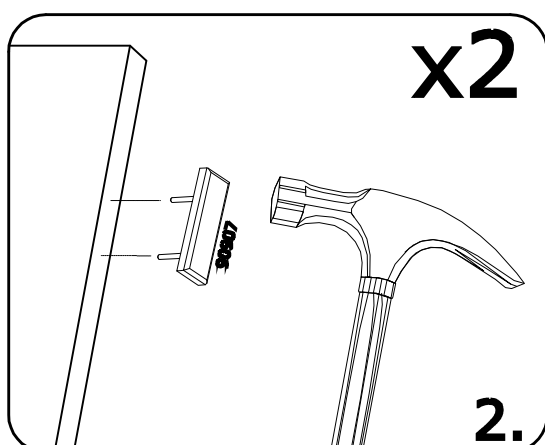
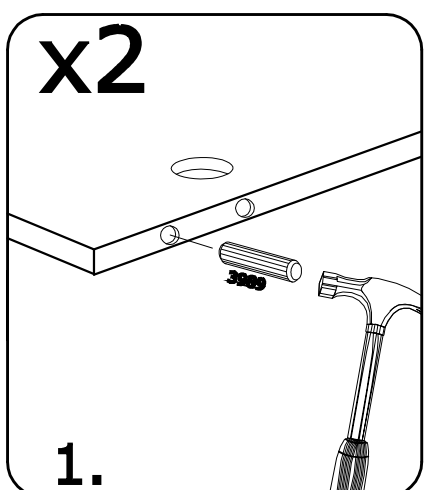
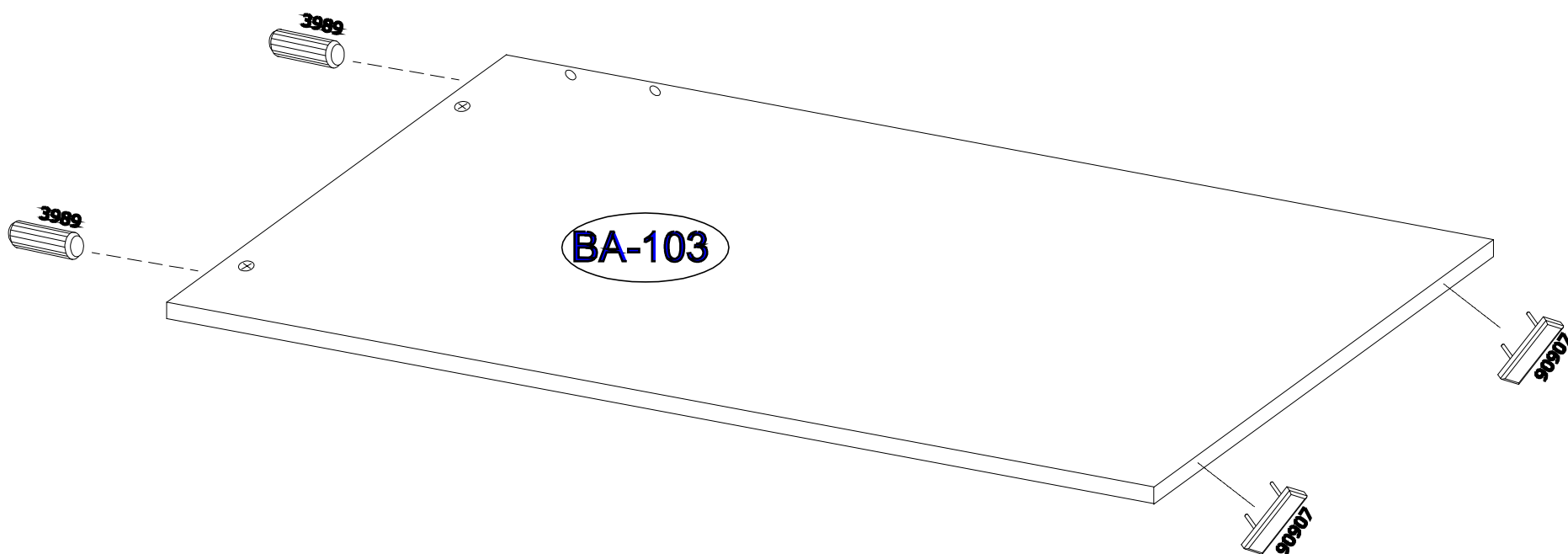
# 9

<b>3996</b>  x2		
--	--	--



# 10

<b>3989</b>  x2	<b>90907</b>  x2		
--	---	--	---



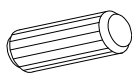
# 11

3996

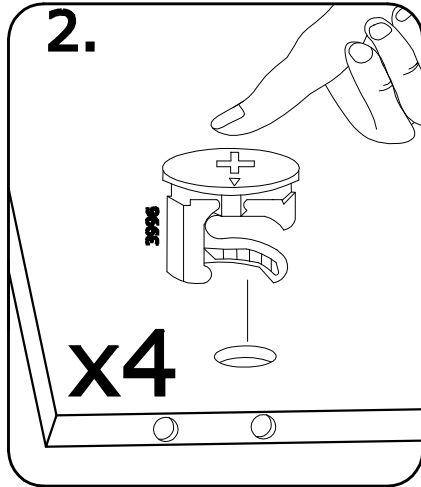
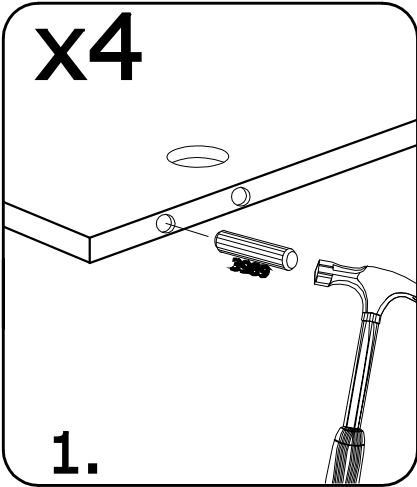
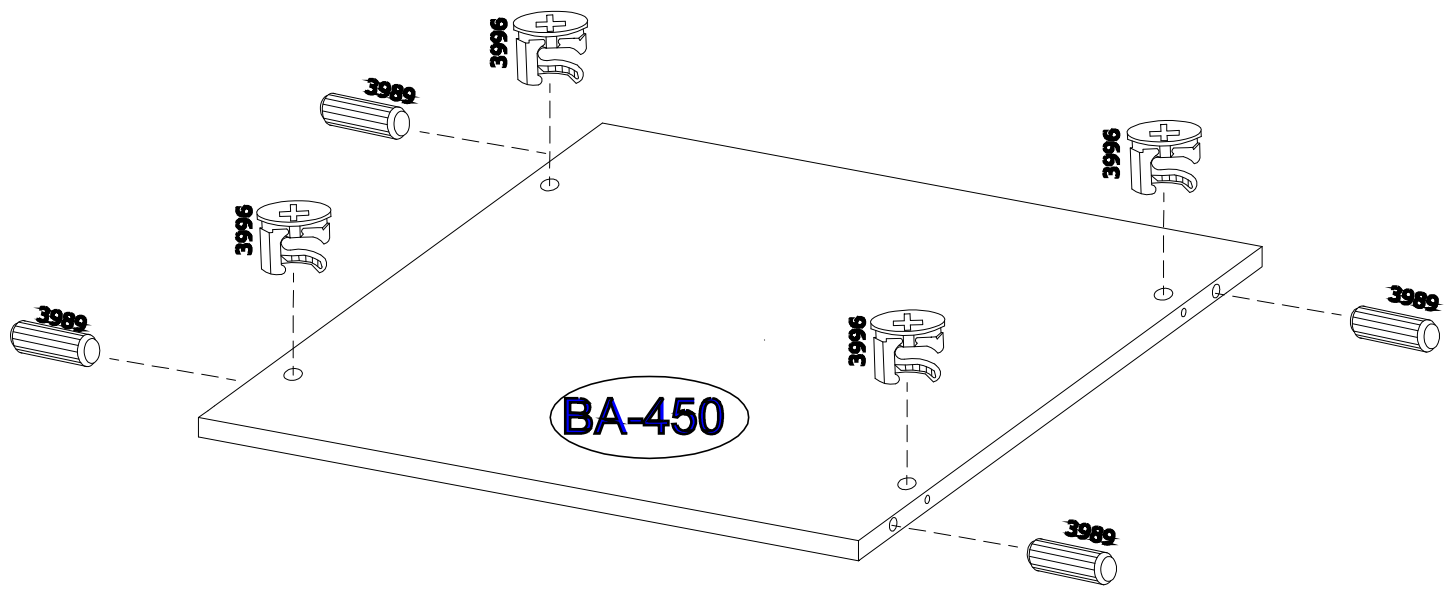
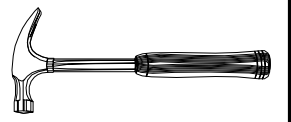


x4

3989



x4

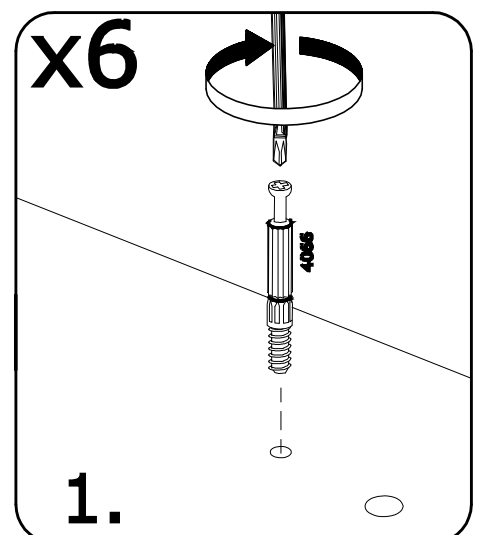
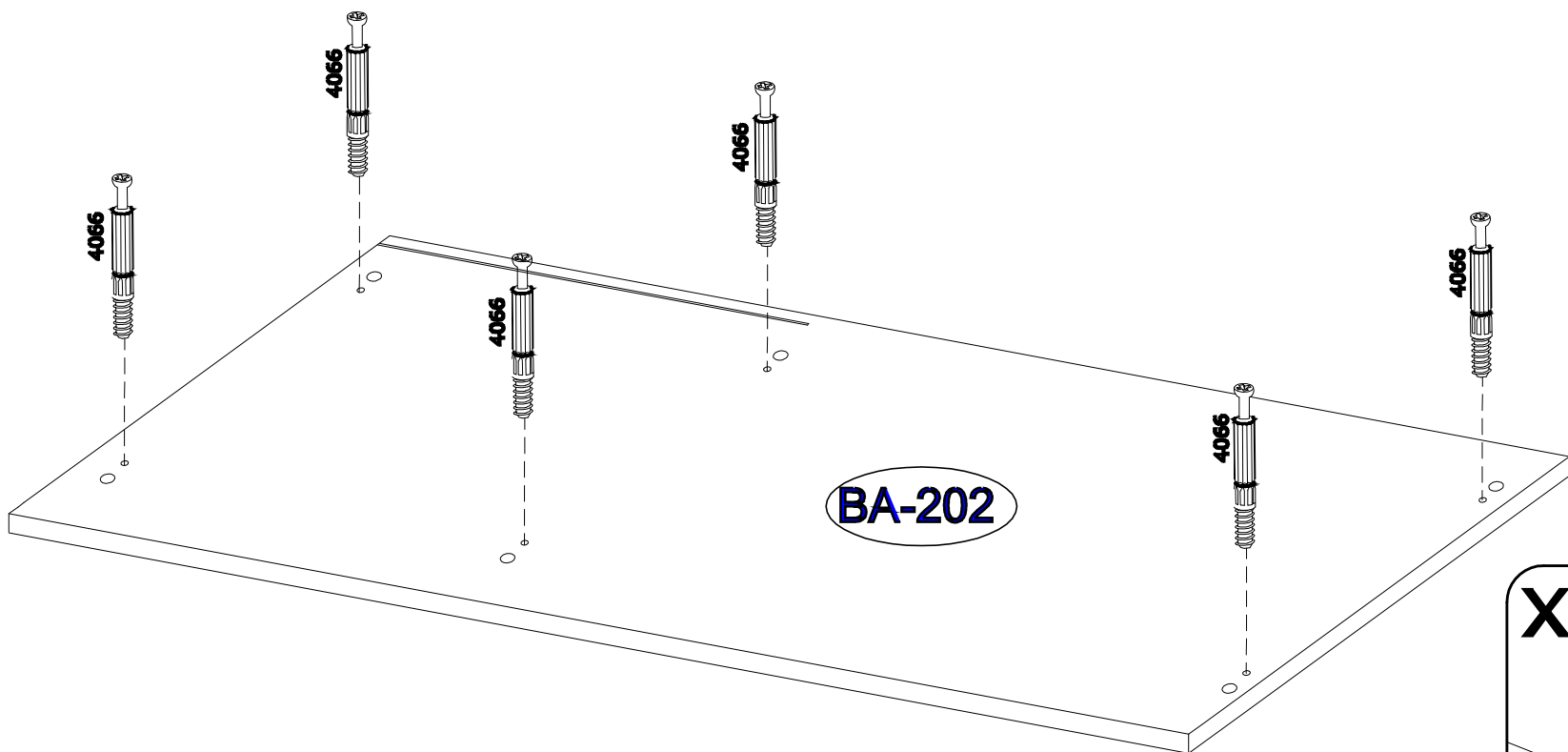


# 12

4066

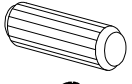


x6

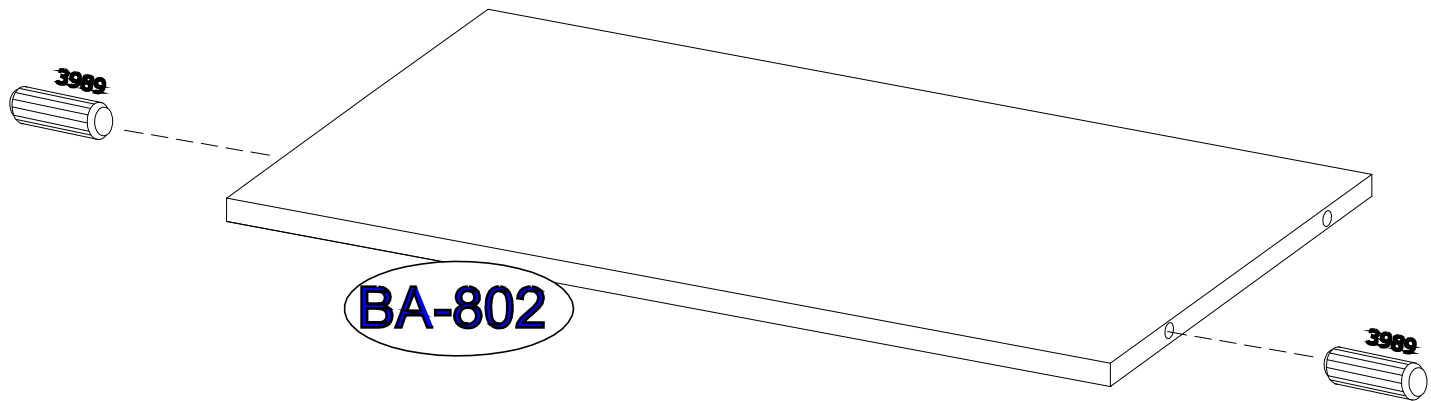
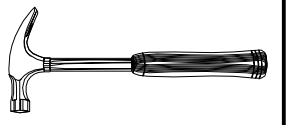


# 13

3989

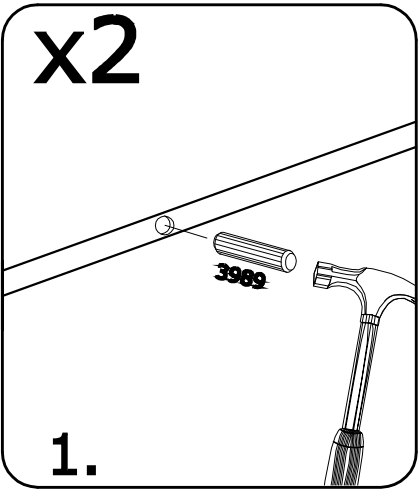


x2



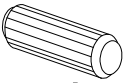
BA-802

x2

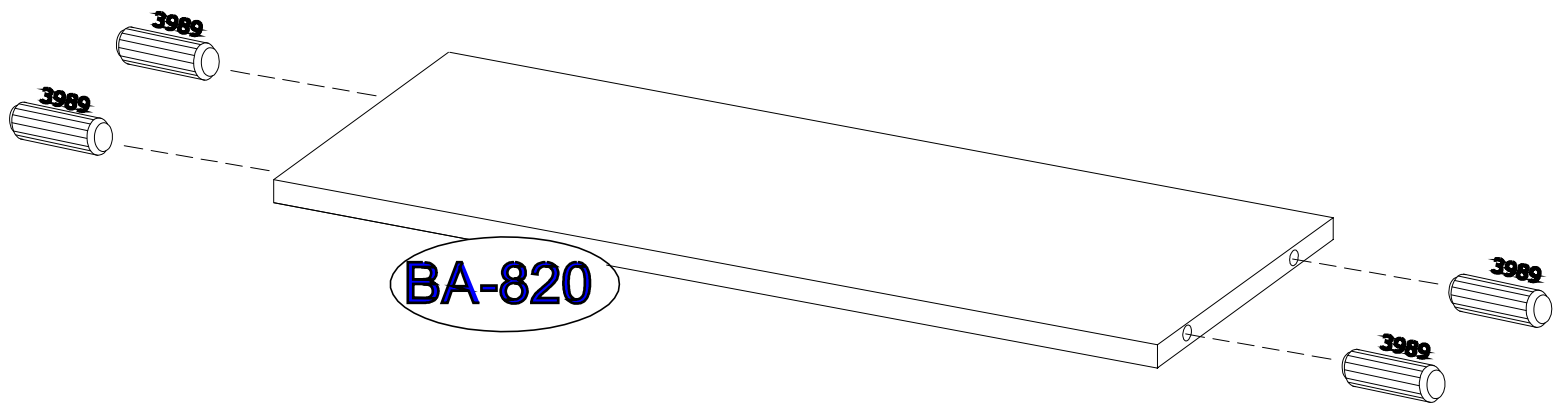


# 14

3989

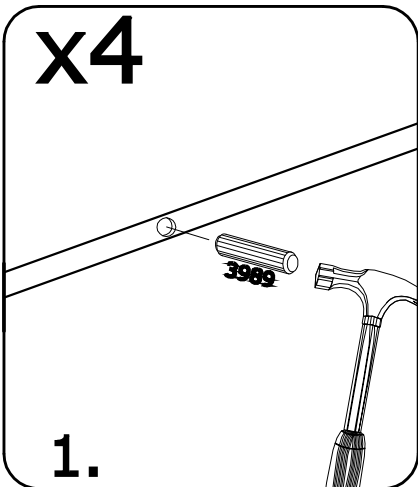


x4



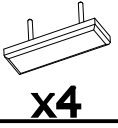
BA-820

x4

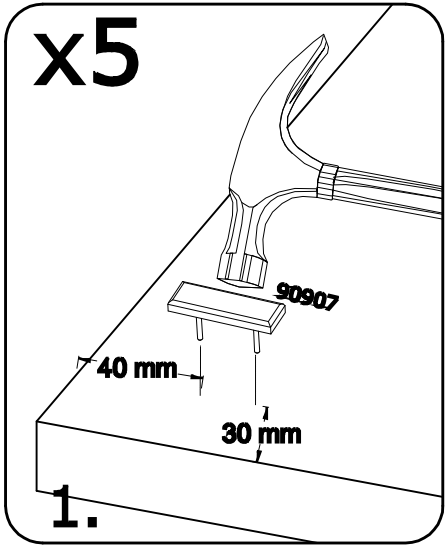
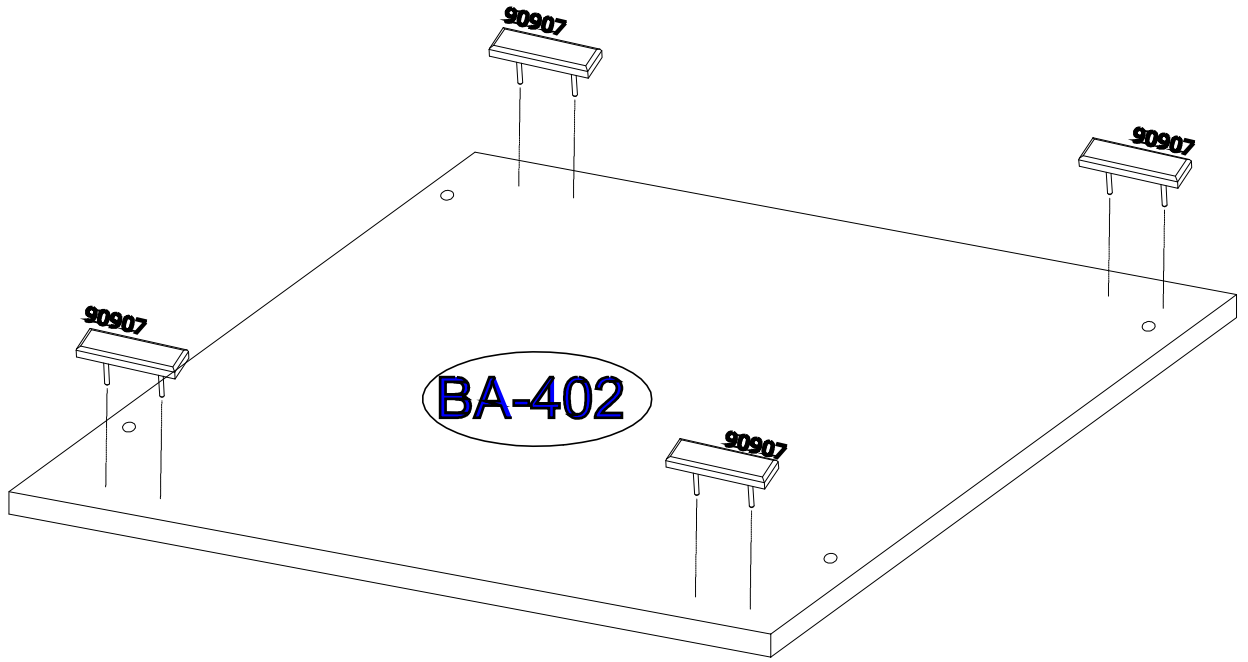


# 15

90907



x4



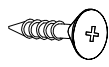
# 16

68850

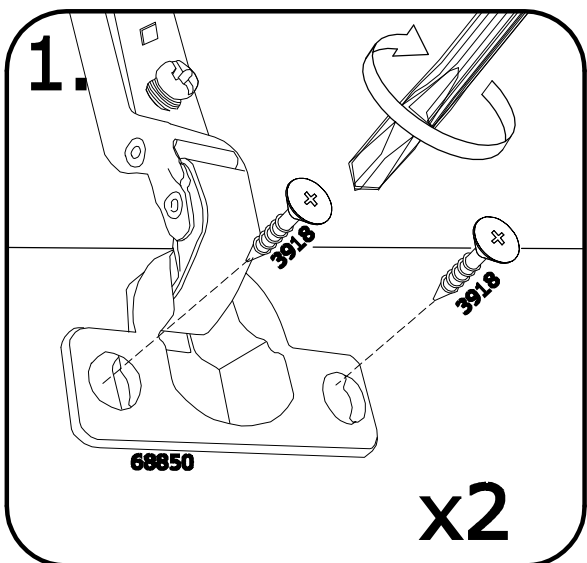
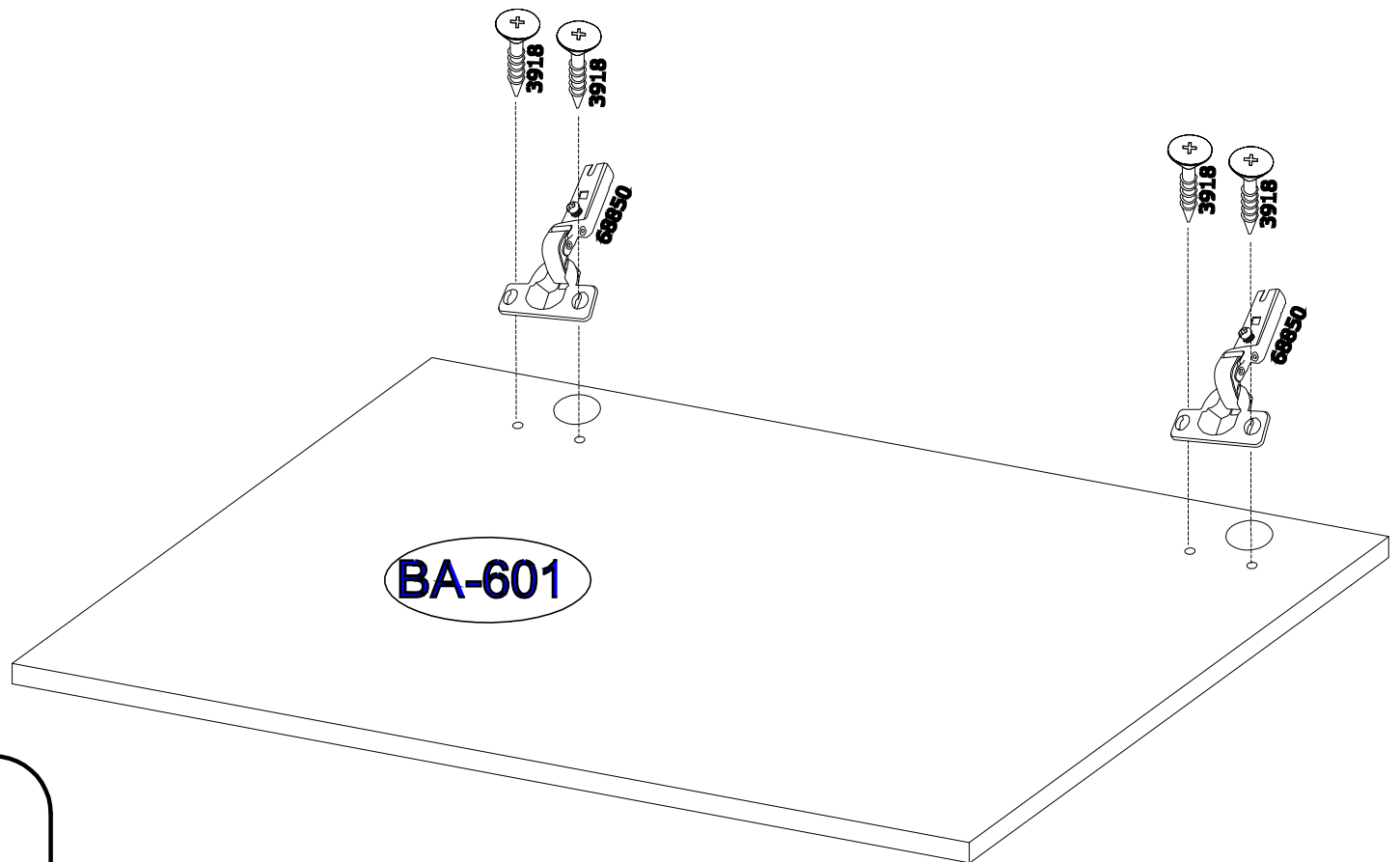


x2

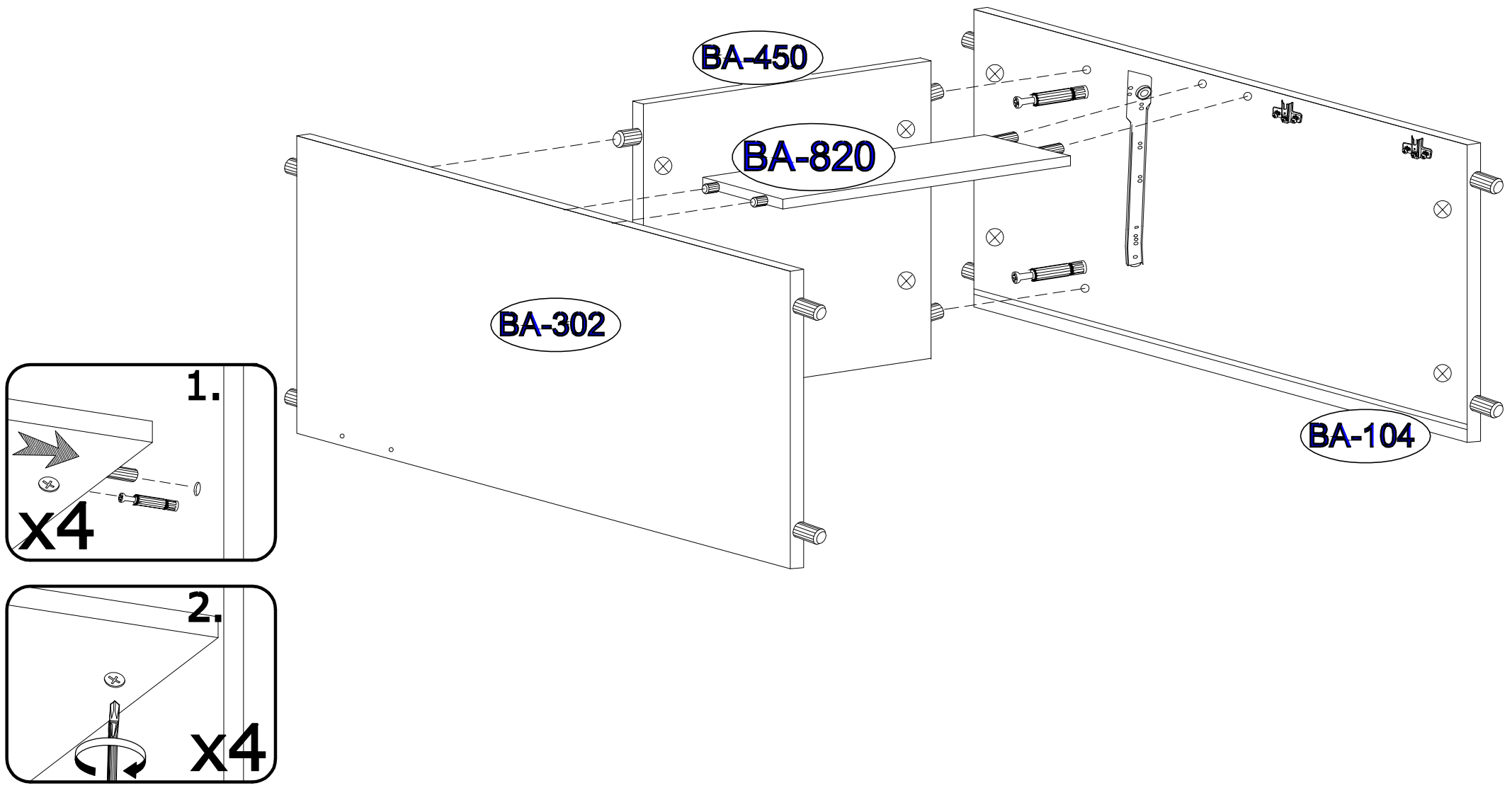
3918



x4

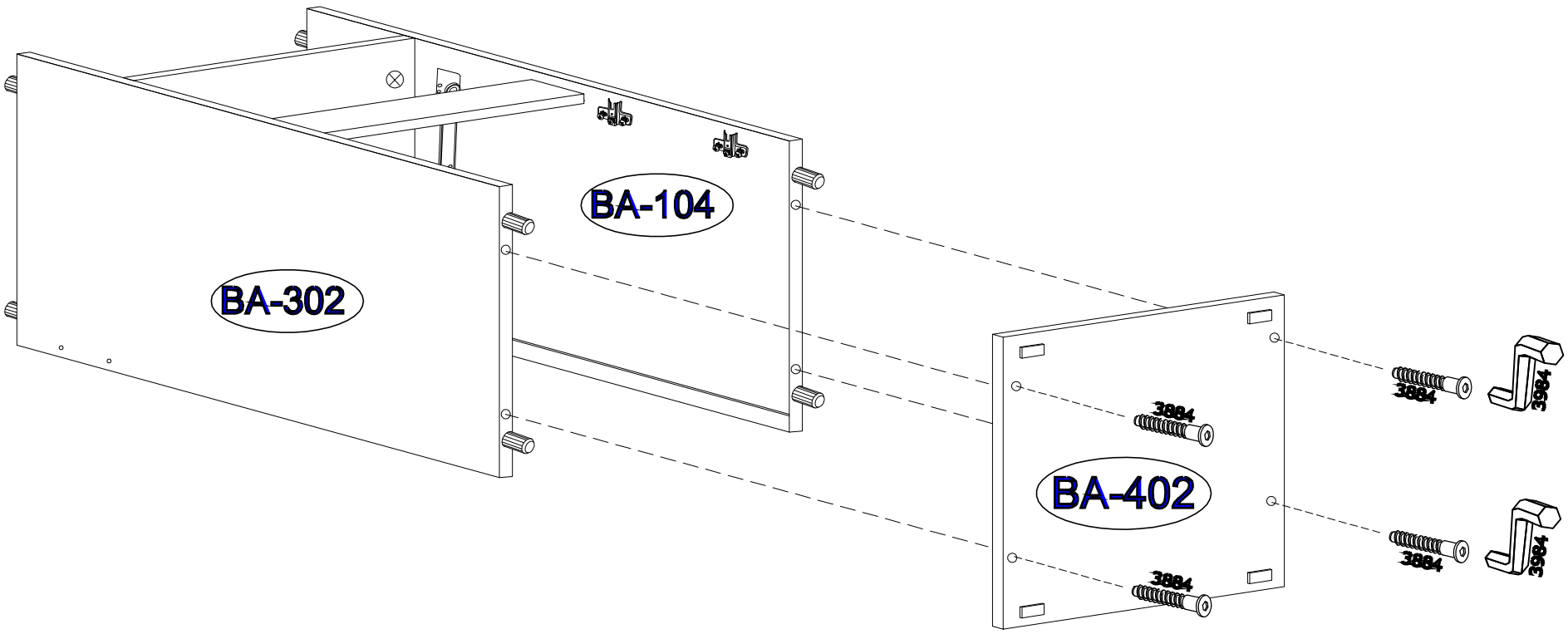
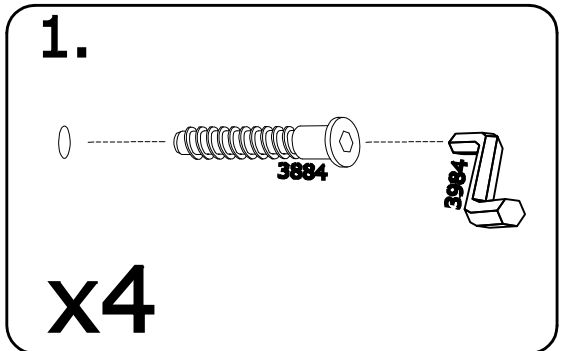


# 17



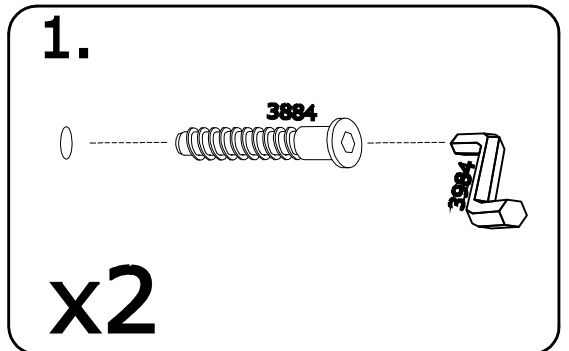
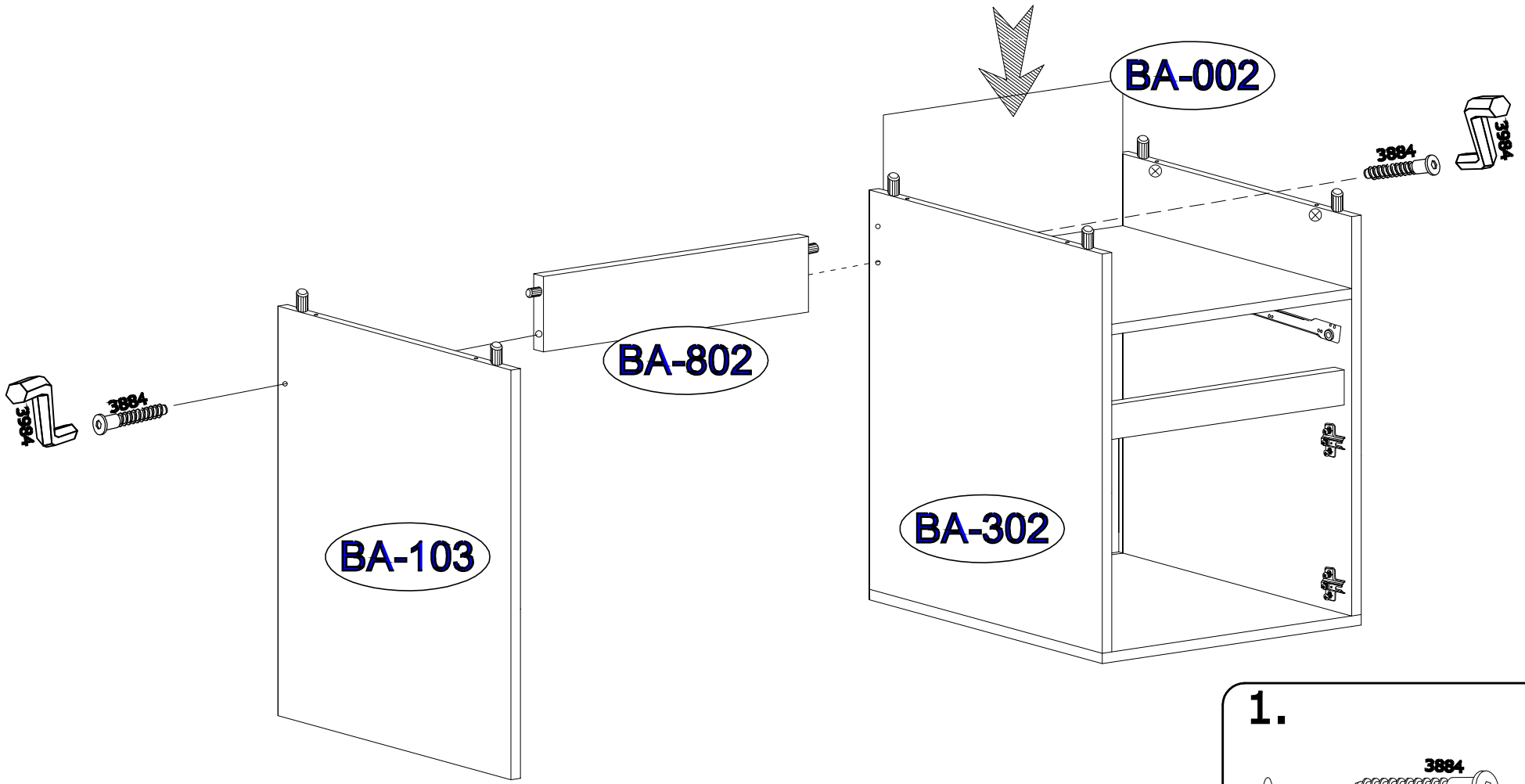
# 18

<b>3884</b>  <b>x4</b>	<b>3984</b>  <b>x1</b>		
------------------------------	------------------------------	--	--



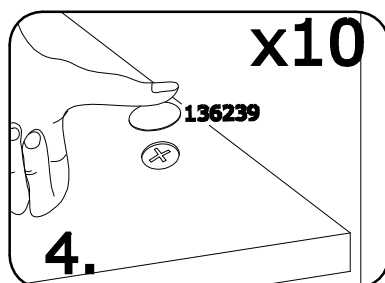
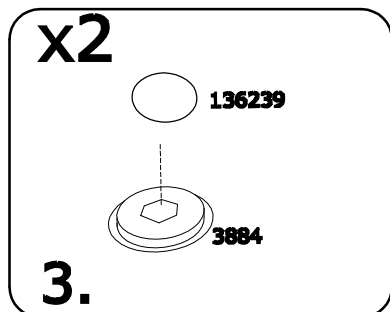
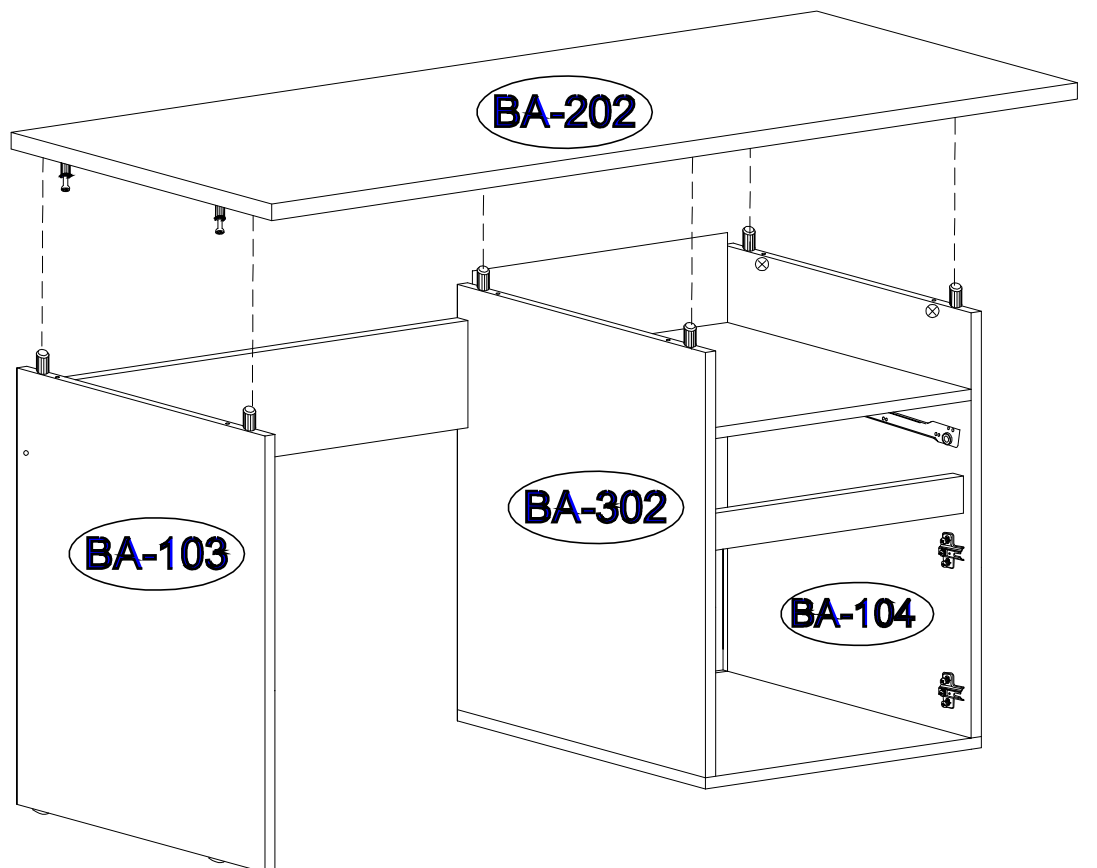
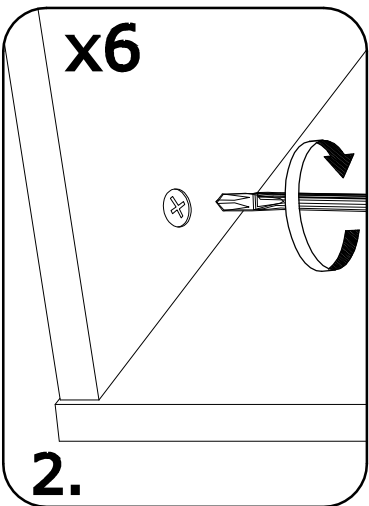
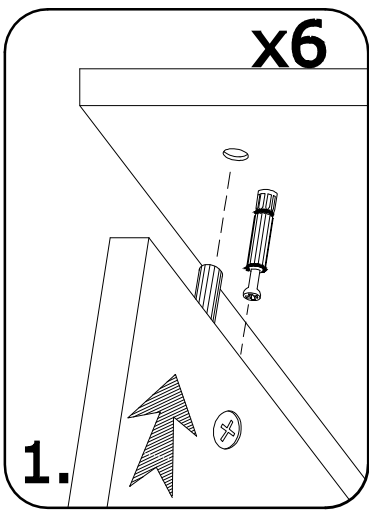
# 19

<b>3884</b>  x2	<b>3984</b>  x1		
--	--	--	--



# 20

<b>136239</b>  x12		 PH2
---	--	--



# 21

4044  
x6

